

Concealed ceiling installation box with ceiling fixing -

35 041 970 90



- concealed rough parts
- 2x female thread 1/2" connections
- For simultaneous control of the jet types, we recommend the xTool thermostat module
- Not suitable for use in a steam room.

Recommended miscellaneous

Leak protection 1/2" -

12 010 970 90

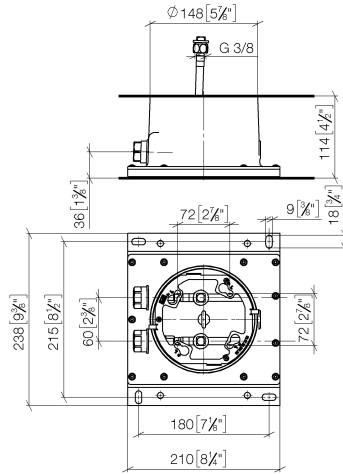
- This article is needed 2x.



Concealed ceiling installation box with ceiling fixing -

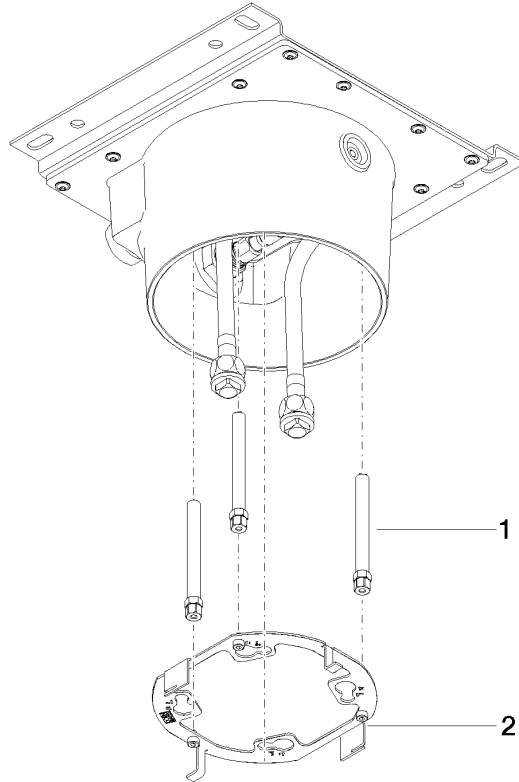
35 041 970 90

mm [inches]



Concealed ceiling installation box with ceiling fixing -

35 041 970 90



Spare parts list

No.	Item Number	Name	Quantity used	Delivery time
1	90 30 30 208 00 90	screw	1	2
2	90 17 20 239 00 90	flange	1	2